

PRODUCT NUMBER  
75880-YXXLF

WHEN REQUIRED, ADD SUFFIX LETTER "LF"  
INDICATES THE PRODUCT IS RoHS COMPLIANT  
& COMPATIBLE, SEE NOTE 7

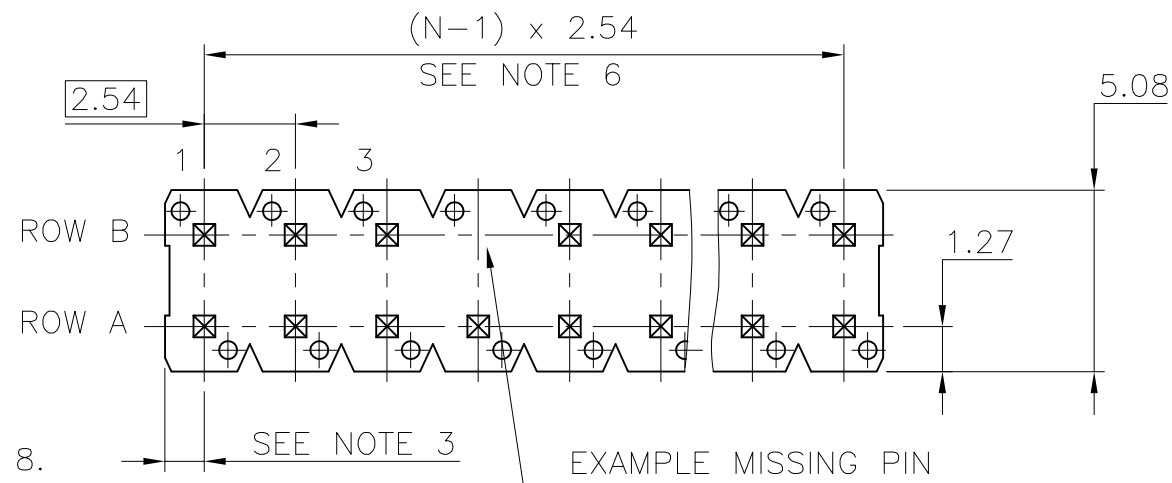
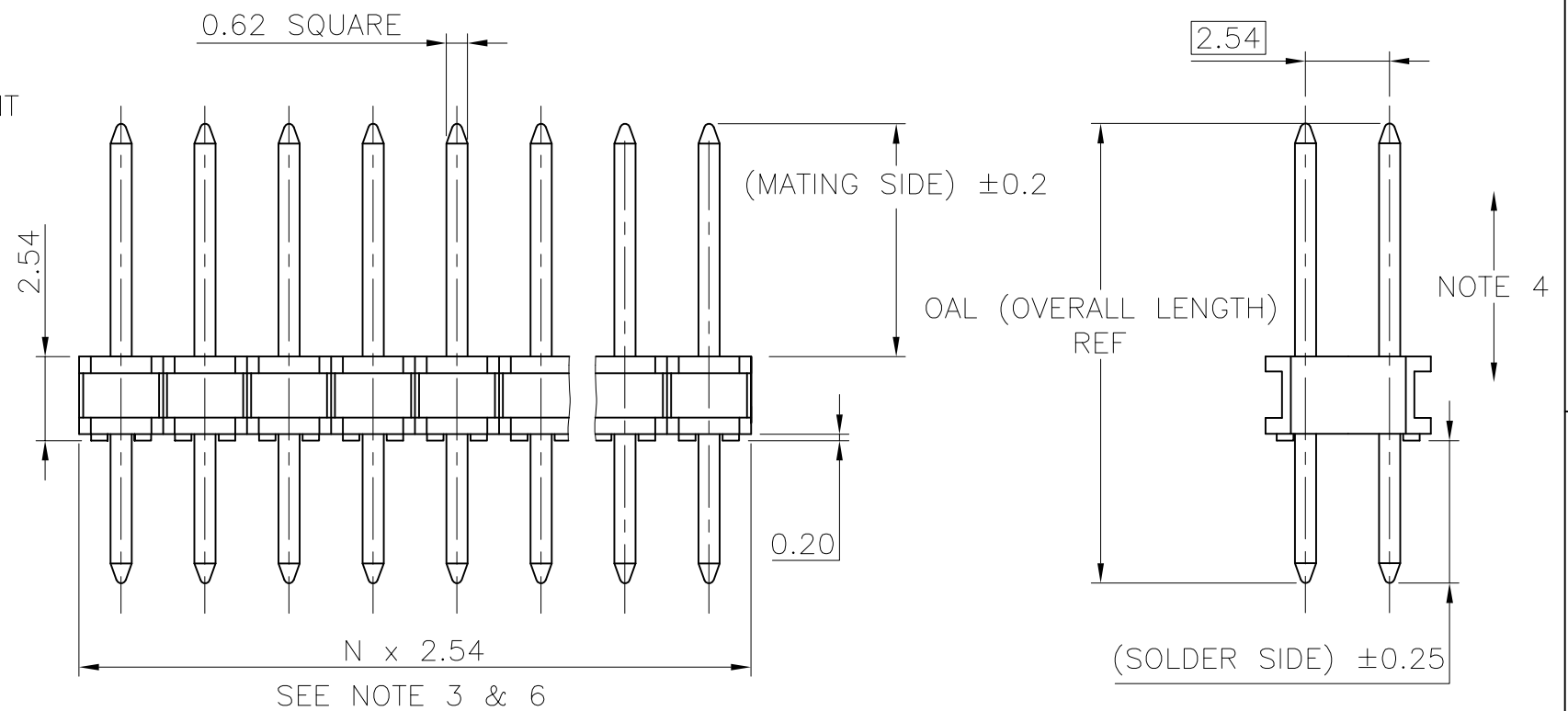
PIN STYLE SEE SHEET 2

PLATING:

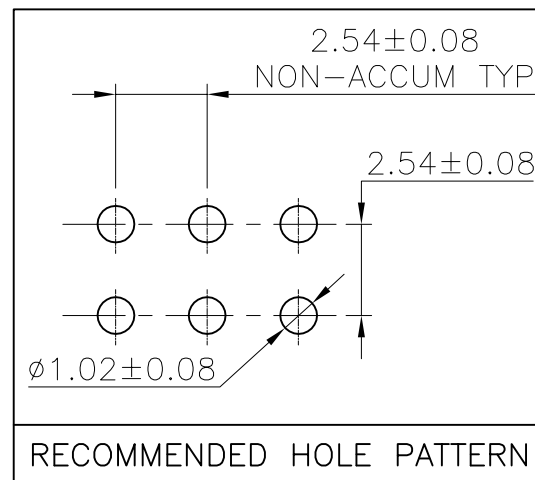
- 1 = 0.76µm FULL GOLD/GXT, OVER 1.27µm Ni MIN
- 3 = 3.81µm FULL TIN/LEAD OVER 1.27µm Ni MIN.  
WHEN "LF" IS REQUIRED, 2µm MATTE TIN OVER  
1.27µm MIN NICKEL IS PROVIDED INSTEAD OF TIN-LEAD
- 8 = 0.38µm FULL GOLD/GXT, OVER 1.27µm Ni MIN

NOTES:

1. HOUSING MAT'L : HIGH TEMPERATURE THERMOPLASTIC  
FLAME RETARDANT PER UL94-V0, COLOR BLACK.
2. PIN MATERIAL : PHOSPHOR BRONZE.
3. DIM  $1.27^{+0.03}_{-0.13}$  FOR MOULDED SIDE(S)  
ONLY. IF SIDE(S) ARE BROKEN, DIM 1.02  
TO 1.7 MAX APPLIES.
4. PIN PUSH OUT FORCE : 12N MIN.
5. PRODUCT PACKAGED IN POLY BAGS.
6. TO DETERMINE DIMENSIONS :  
N = NUMBER OF POSITIONS  
EXAMPLE : 8 POS  $N \times 2.54 = 20.32\text{mm}$
7. RoHS COMPATIBLE PRODUCT SPECIFICATIONS
  - a - SUFFIX "LF" IS ADDED JUST FOR EASY  
LEADFREE IDENTIFICATION FOR PLATING VERSION 1 & 8.
  - b - MANUFACTURING PROCESS COMPATIBILITY
    - THE HOUSING WILL WITHSTAND EXPOSURE TO  
260°C ±5°C SOLDER BATH TEMPERATURE FOR  
5 SECONDS IN A WAVE SOLDER APPLICATION  
WITH A 1.6mm MIN THICK CIRCUIT BOARD.
  - c - LABELING:
    - MEETS PACKAGING SPECS AS PER GS-14-920
  - d - LEGAL STATEMENT: SEE GS-22-008

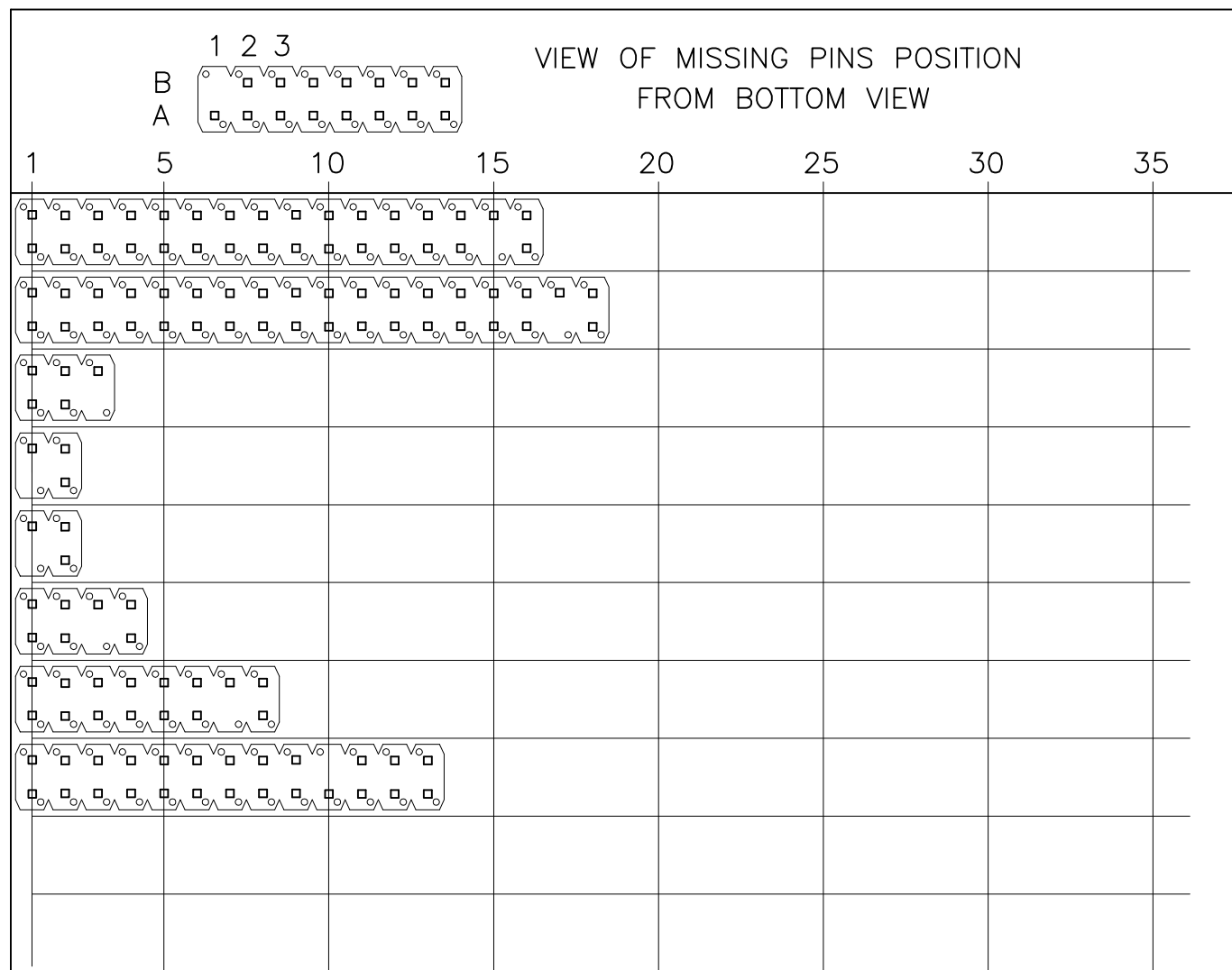


BOTTOM VIEW



mat'l. code SEE P/N				surface ISO 1302 ✓		tolerance ISO 406 ISO 1101		projection mm		product family BSTIK	
ltr	ecn no	dr	date	tolerances unless otherwise specified		.x ±0.3		mm		title HEADER, STR, DR POLARIZED 2.54mm	
AE	F20166	LMU	02.02.28	angles		.xx ±0.15		scale 5:1		dwg no 75880	
AF	F03-0201	LMU	03.04.18	linear		.xxx ±0.05		FCJ		sheet 1 of 3 size A3	
AG	F05-0186	LMU	05.05.24	dr		D LEGRAND		99.01.05		type CUSTOMER Drawing	
AH	F06-0196	LMU	06.06.20	enr		JMC		99.01.05			
AJ	F08-0148	JCO	08.05.27	chr							
AD	F10737	LMU	01.12.19	appd		JMC		99.01.05			
sheet index	revision sheet	AJ	AA	AA							
		1	2	3							

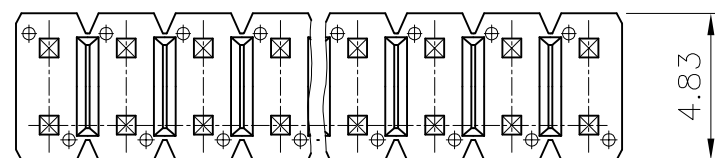
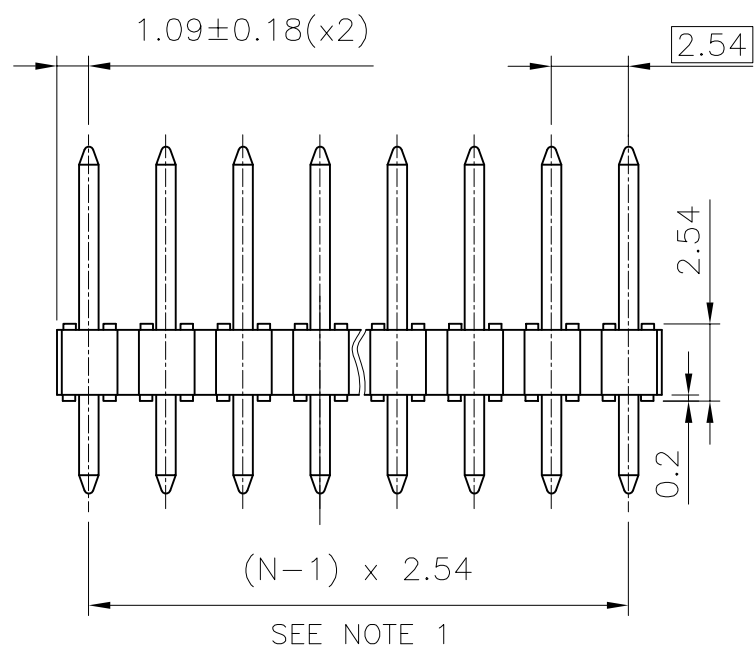
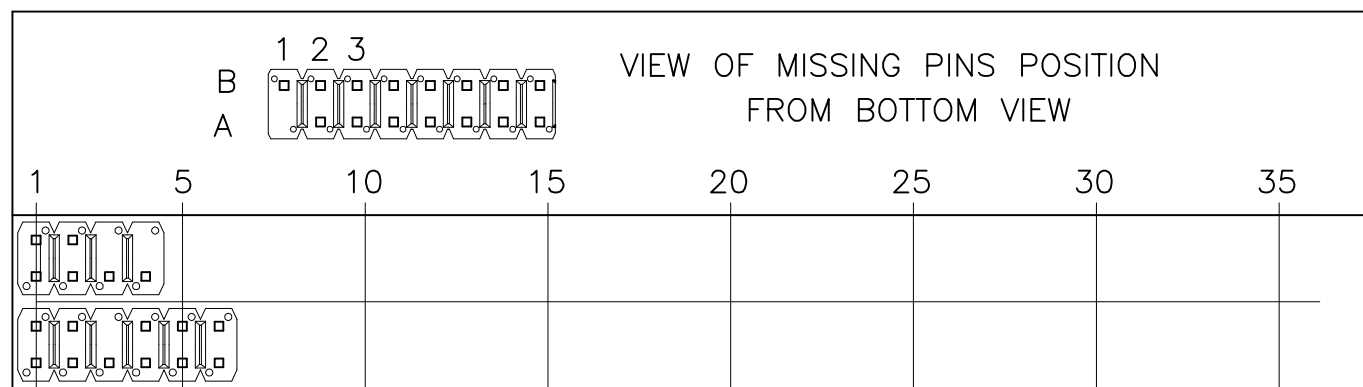
PIN STYLE	PRODUCT DEFINITION			
	POS	"A" ±0.15	("B") REF	("L") REF
07	2X16	5.72	2.54	10.8
09	2X18	5.72	2.54	10.8
13	2X03	5.72	3.05	11.3
21	2X02	5.72	2.54	10.8
26	2X02	5.84	2.54	10.92
27	2X04	5.84	2.54	10.92
28	2X08	5.84	2.54	10.92
30	2X13	5.72	3.05	11.3
36	SEE SHEET 5			
37				



Copyright FCI

mat'l. code		surface ISO 1302 ✓		tolerance ISO 406 ISO 1101		projection mm		product family BSTIK	
ltr	ecn no	dr	date	tolerances unless otherwise specified		mm		title HEADER,STR,DR POLARIZED 2.54mm	
X	F90100	DLE	99.01.05	angles	linear	scale 1:1		dwg no 75880	
Y	F05-0186	LMU	05.05.25					sheet 2 of - A3	
AA	F06-0196	LMU	06.06.20					type CUSTOMER Drawing	
				dr D	LEGRAND	99.01.05			
				engr	COMPAGNON J	98.01.05			
				chr					
				appd	JMC	99.01.05			
sheet index	revision sheet								

PIN STYLE	PRODUCT DEFINITION			
	POS	"A" ±0.15	("B") REF	("L") REF
36	2X04	5.72	3.03	11.3
37	2X06	5.72	3.03	11.3



NOTE :

1- TO DETERMINE DIMENSIONS :  
 N = NUMBER OF POSITIONS  
 EXAMPLE : 8 POS N x 2.54 = 20.32mm

BODY DESIGN AND DIMENSIONS ONLY FOR FOLLOWING P/NUMBER :  
 75880-336(LF) ;75880-337(LF)

MATERIAL BODY :  
 HIGH TEMPERATURE THERMOPLASTIC

mat'l. code				surface ISO 1302 ✓		tolerance ISO 406 ISO 1101		projection mm		product family BSTIK			
ltr	ecn no	dr	date	tolerances unless otherwise specified						title HEADER,STR,DR POLARIZED 2.54mm			
X	F90100	DLE	99.01.05	angles		.x	±0.3			sheet 3 of -			
Y	F05-0186	LMU	05.05.25	linear		.xx	±0.15			size A3			
AA	F06-0196	LMU	06.06.20			.xxx	±0.05	scale 1:1		type customer Drawing			
				dr	D	LEGRAND	99.01.05			dwg no 75880			
				engr		COMPAGNON J	98.01.05			sheet 3 of -			
				chr						75880			
				appd	JMC		99.01.05			A3			
sheet index		revision sheet											